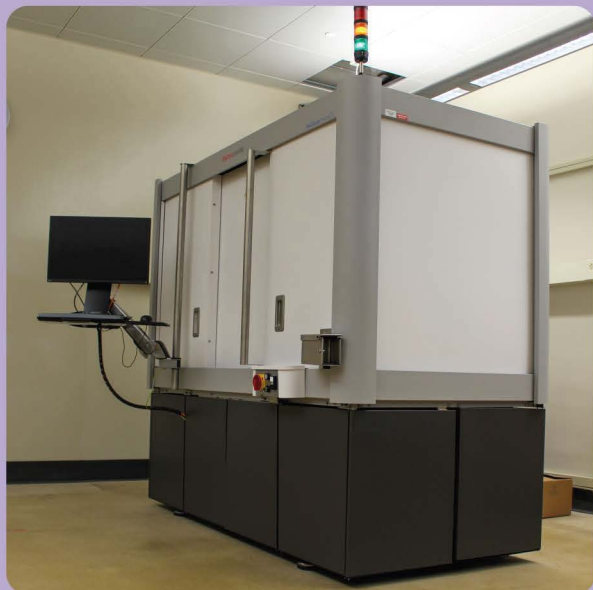




LOUISIANA STATE UNIVERSITY

Shared Instrumentation Facility

# Heliscan MicroCT Workshop



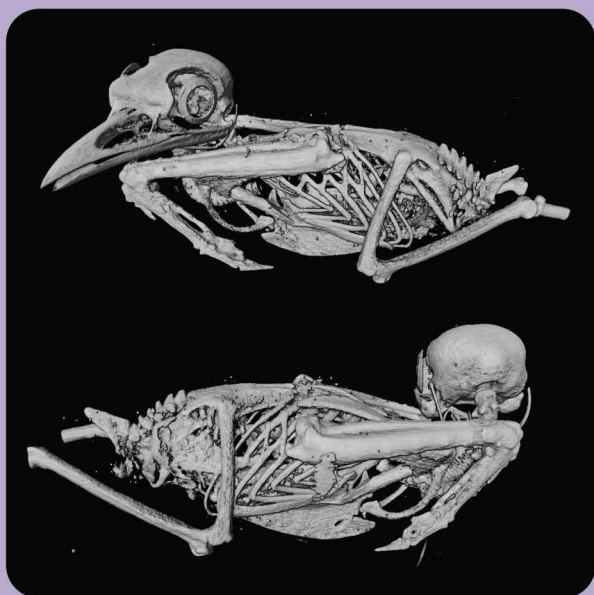
Wednesday, November 20<sup>th</sup>  
Chemistry and Materials Building

Lectures

9:00 - 11:00 am | Room 100

Hands-on

1:00 - 3:00 pm | Room 168



## Talks:

*Introduction to Imaging with MicroCT*

**Kyungmin Ham, Ph.D.**

Center for Advanced Microstructures and Devices (CAMD)

*Applications of MicroCT*

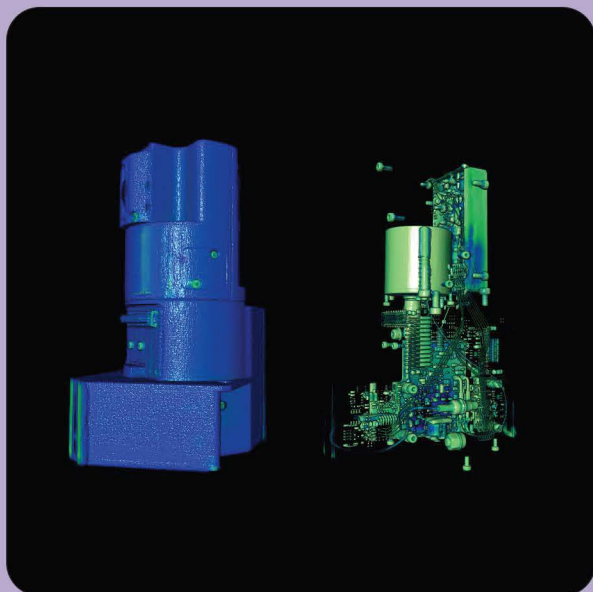
**Les Butler, Ph.D.**

Inorganic and Materials Science

*Presentation of the Heliscan MicroCT*

**Rogério Gomes, Ph.D.**

Shared Instrumentation Facility



RSVP to [rogeriog@lsu.edu](mailto:rogeriog@lsu.edu)